

EVANS BAY SEAT



Metal Art Limited
Street & Park Furniture

DESCRIPTION

A comfortable piece of furniture for use in public spaces where an informal and value for money seat is required.

The Evans Bay uses durable recycled plastic slats as standard, on a robust galvanised support frame available powder coated in any standard colour. Timber slats are available on request.

SLAT DIMENSIONS/SEAT LENGTH

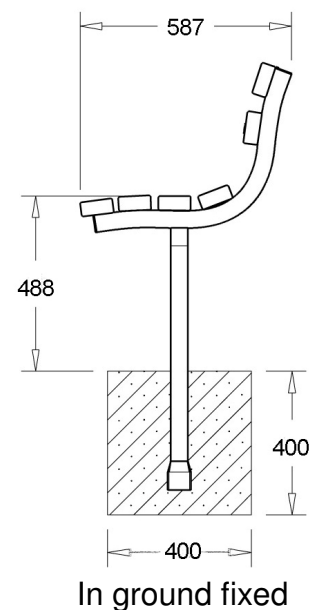
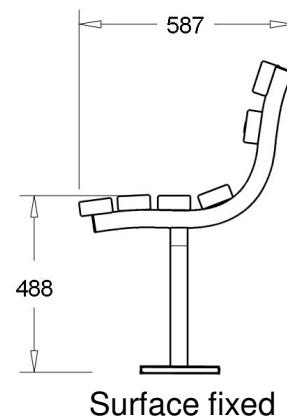
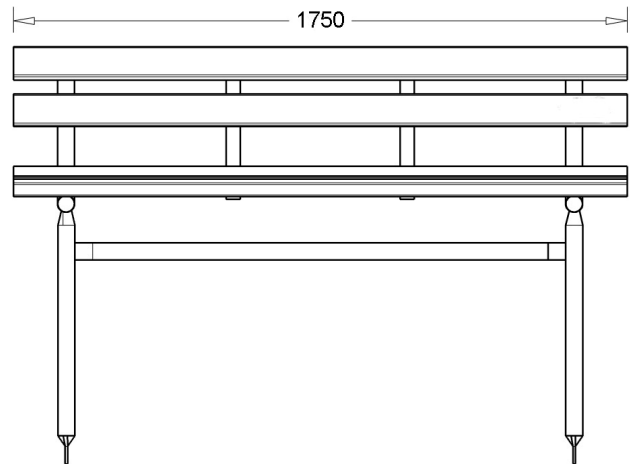
Seat slat section - 95 x 40mm
Length 1750mm

SLAT MATERIAL

- Timber oiled
(Eucalyptus Saligna)
- Timber mahogany stained
(Eucalyptus Saligna)
- 100% recycled plastic
 - Green
 - Grey
 - Brown
 - Blue

MOUNTING

Surface fixed
In ground fixed



Metal Art Ltd

51 Port Road, Seaview
Wellington, New Zealand
Ph +64 4 939-6666
Fax +64 4 939-6696
info@metalart.co.nz
www.metalart.co.nz